

## Standalone Security Display

### Device Charging & Alarm Series

# 8502

Totally new, providing powerful and stability charging & alarm function

- Provide a fully powered customer experience;
- More secure Under-table-mounted system;
- Neat presentation and unmatched customer experience benefit from recoiler mechanism;
- Detachable holder without tool, allow to collect exhibits easily;
- 360 degree rotation, support horizontal and vertical display;
- Detachable brackets design, providing more options of physical protection for exhibits.



#### Make the exhibit the hero

Emphasize the exhibits when display, providing unmatched customer experience

#### Detachable holder

Allow to collect phone easily



#### The Shorter charging loop

Reduce the loss and improve the charging efficiency

#### Detachable bracket

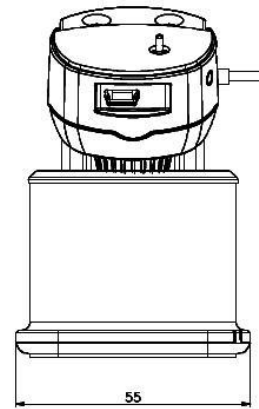
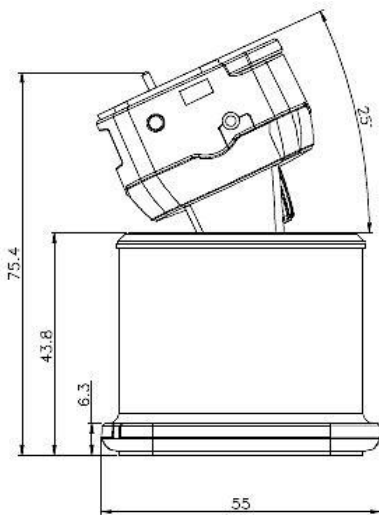
providing more options of physical protection for exhibits



## Function

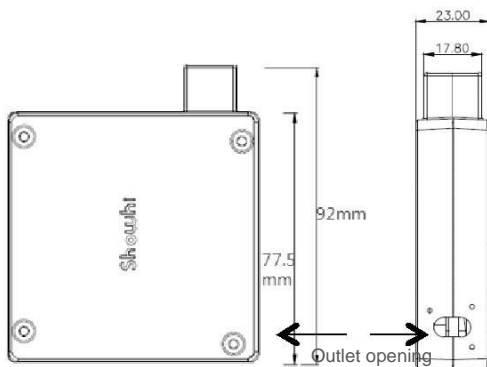
Function	Description
Universal protection	Plungers on base and holder, alarm trigger when released.
Charging-alarm	Audible alarm activated when charging cable is improperly removed.(still available without external power supply )
Charging capacity	Providing more than 1A current
Built-in battery	Back-up battery design, support alarm function without power adapter
Device removal	Detachable holder allows for easy device removal for after hours storage
Reserved stripe hole	Reserved stripe hole on the holder, used for irregular exhibits
LED indicator	Visual LED flashing slowly when in normal working status, flashing rapidly when alarming.
2.4G remote control	2.4G remote control, password protection optional.
Alarm volume	Around 100dB (within 10cm)
Brackets extension	B032 brackets can be equipped for further protection.

## Dimensions

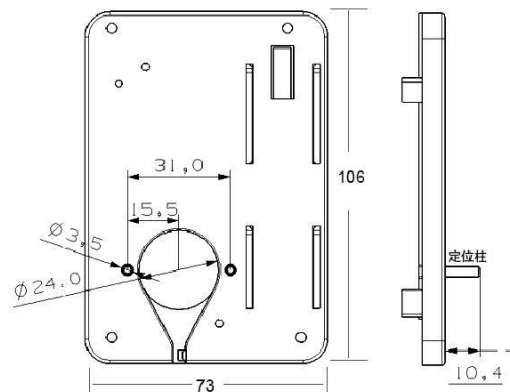


Stand

adhesive of holder: 3M ( 8502 )  
adhesive of base: 3M (8502)

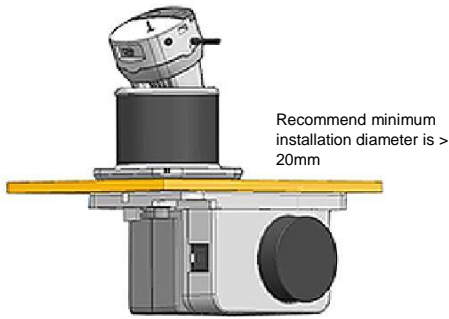


Recoiler (5920)



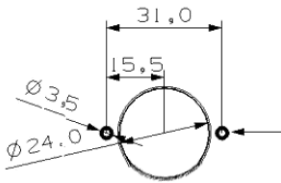
The adhesive of underneath mounting plate:  
3M

## Assembly Illustration



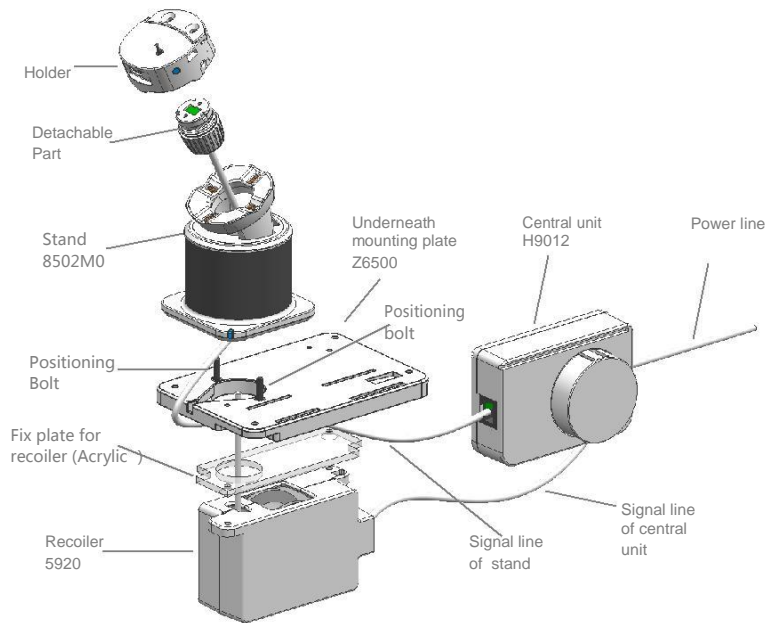
### Through Hole Installation

(countertop part installed by adhesive; underneath part default installed by adhesive, but reserved holes for fixed by screws)



### Mounting hole illustration (mm)

(optional) Positioning location hole on both sides:  
Diameter: 3.5mm  
Depth: >10mm



## Configuration

Default Package	
Items	Qty
8502M0	1 PCS
5.5V 1A PSU	1 PCS
Recoiler 5920	1 PCS (contain acrylic plate)
Mounting Plate Z6500	1 PCS
Central unit H9012	1 PCS
Positioning bolt	2 PCS
User manual	1 PCS

Accessories				
Category	Model	Description	Optional	Remarks
Adhesive	3M(8502)	Adhesive of holder	√	
Adhesive	3M(8502)	Adhesive of stand base	√	
Adhesive	3M(7020)	Adhesive of underneath mounting plate* 2	√	
Security bracket	B032	Detachable bracket, particularly recommend for M0 products to provide physical protection	√	
Remote	3201/3202	2.4G remote control	√	
Charging cable	CH18	Micro USB interface	√	
	C-35-L20	Lightning interface	√	Without alarm function

## Technology

